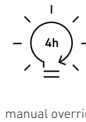


IS 3360

PF - concealed, rd.
 EAN 4007841 033484
 Article number 033484



Function description

Higher, further, faster. Infrared motion detector IS 3360 for indoors and out, ideal for watching over high spaces and large areas, such as multi-storey and underground car parks, installation height up to 4 m, 360° angle of coverage, reach 20 m max. (tangential), heavy-duty relay for high switching capacity. Available either in round or square surface-mounted and concealed version.

Technical specifications

Dimensions (Ø x H)	124 x 78 mm	Capacitive load in µF	176 µF
With motion detector	Yes	Technology, sensors	passive infrared, Light sensor
Manufacturer's Warranty	5 years	Mounting height	2,50 – 4,00 m
Settings via	Remote control, Potentiometers, Smart Remote	Mounting height max.	4,00 m
With remote control	No	Optimum mounting height	2,8 m
Version	PF - concealed, rd.	Detection angle	360 °
PU1, EAN	4007841033484	Angle of aperture	180 °
Type	Motion and Presence Detector	Sneak-by guard	Yes
Application, place	Indoors	Capability of masking out individual segments	Yes
Application, room	production facilities, recreation room, changing room, function room / ancillary room, sports hall, reception / lobby, stairwell, WC / washroom, multi-storey / underground car park, warehouse, Indoors	Electronic scalability	No
Colour	white	Mechanical scalability	No
Colour, RAL	9003	Reach, radial	Ø 8 m (50 m ²)
		Reach, tangential	Ø 40 m (1257 m ²)
		Reach, presence	Ø 3 m (7 m ²)
		Switching zones	1416 switching zones
		Functions	Normal / test mode, Manual ON / ON-OFF

IS 3360

PF - concealed, rd.
 EAN 4007841 033484
 Article number 033484



Technical specifications

Includes corner wall mount	No
Installation site	ceiling
Installation	Concealed wiring, Ceiling
IP-rating	IP20
Ambient temperature	from -20 up to 50 °C
Material	Plastic
Mains power supply	220 – 240 V / 50 – 60 Hz
Fluorescent lamps, electronic ballast	1500 W
Fluorescent lamps, uncorrected	1000 VA
Fluorescent lamps, series-corrected	400 VA
Fluorescent lamps, parallel-corrected	400 VA
Switching output 1, low-voltage halogen lamps	2000 VA
LED lamps < 2 W	100 W
LED lamps > 2 W < 8 W	300 W
LED lamps > 8 W	600 W

Twilight setting	2 – 1000 lx
Time setting	5 s – 15 Min.
Basic light level function	No
Main light adjustable	No
Twilight setting TEACH	Yes
Constant-lighting control	No
Interconnection	Yes
Type of interconnection	Master/master
Interconnection via	Cable
Product category	Motion and Presence Detector

Accessories

EAN 4007841 009151	Remote control Smart Remote
EAN 4007841 559410	Service remote control RC8
EAN 4007841 056742	Black cover for IR-sensors

IS 3360

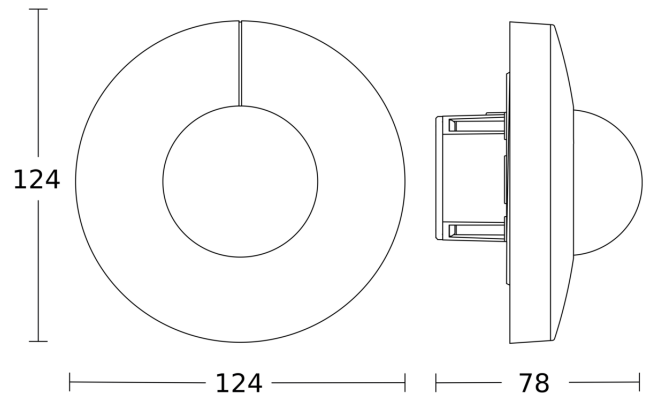
PF - concealed, rd.
EAN 4007841 033484
Article number 033484

Detection Zone



Possible mounting height: 2,50 m - 4,00 m
Orange: radial
Black: tangential

Dimension Drawing



Master circuit diagram

